

INTRODUCTION

Congratulations and thank you for your purchase of the MX41b. This unit is a stereo, four channel passive mixer for expanding a console mixer, mixing instruments, cd or cassette players, or other signal sources. It requires no batteries or other power source. The unit may be used as a stereo 1-in 4-out box when all controls are set to maximum.

DESCRIPTION

OUTPUTS: Stereo 1/4" TRS, and stereo 1/8" TRS jacks for connection to a mixer input or other input device.

INPUTS 1 - 4: 4 stereo 1/4" TRS, and 4 stereo 1/8" TRS jacks for connection to line, instrument, or consumer level devices.

VOLUME 1 - 4: Control the level of the signals coming from Inputs 1 - 4.

SPECIFICATIONS

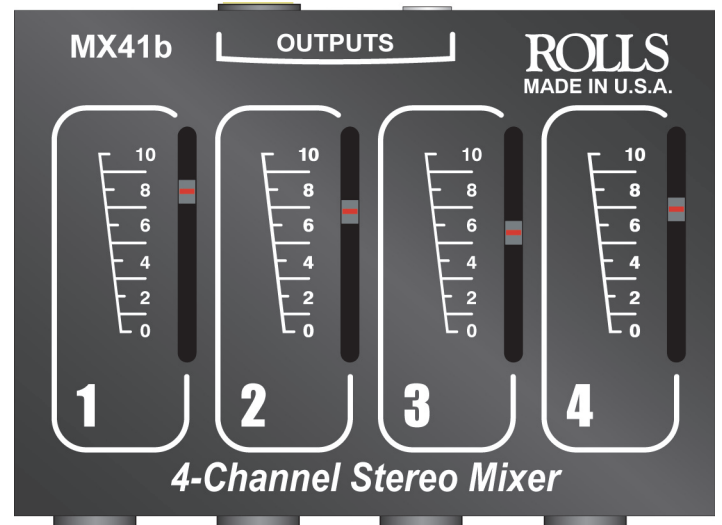
Input Impedance: 10K to 47K Ω

Output Impedance: 2.5K to 10K Ω

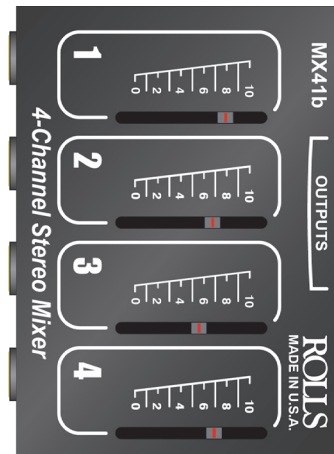
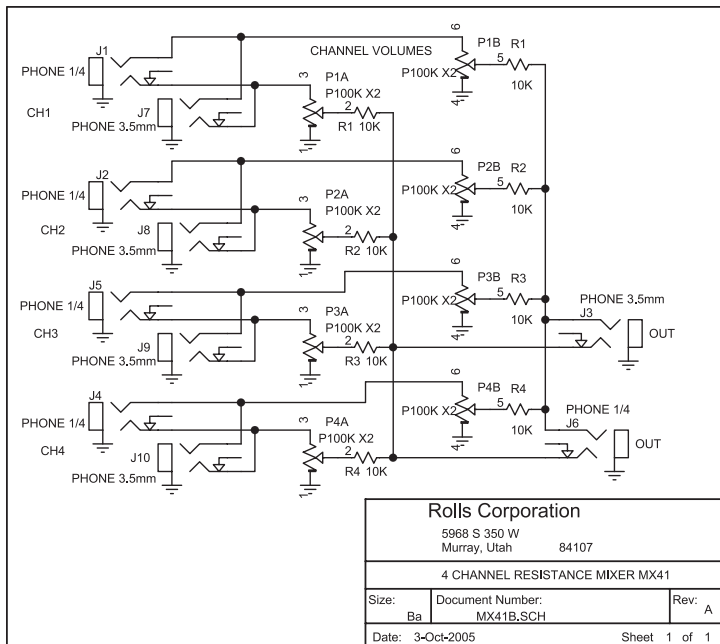
Gain: -12 dB MAX

Dimensions: 3.6" x 2.7" x 1.42" (W x H x D)

Weight: 1 lb.



SCHEMATIC



ROLLS

MX41b Stereo Line Mixer

- MX41b Mixer
- Stereo 1/4" and 1/8" Inputs
- Stereo 1/4" and 1/8" Outputs
- 100K Ohm Potentiometers

The MX41b is a stereo four channel passive mixer for expanding a console mixer, mixing instruments, cd players, cassette players, computers etc. It requires no batteries or other power source. The unit may also be used as a 1 In 4 Out stereo splitter box when all controls are set to maximum.



Rolls Corporation
10/05

